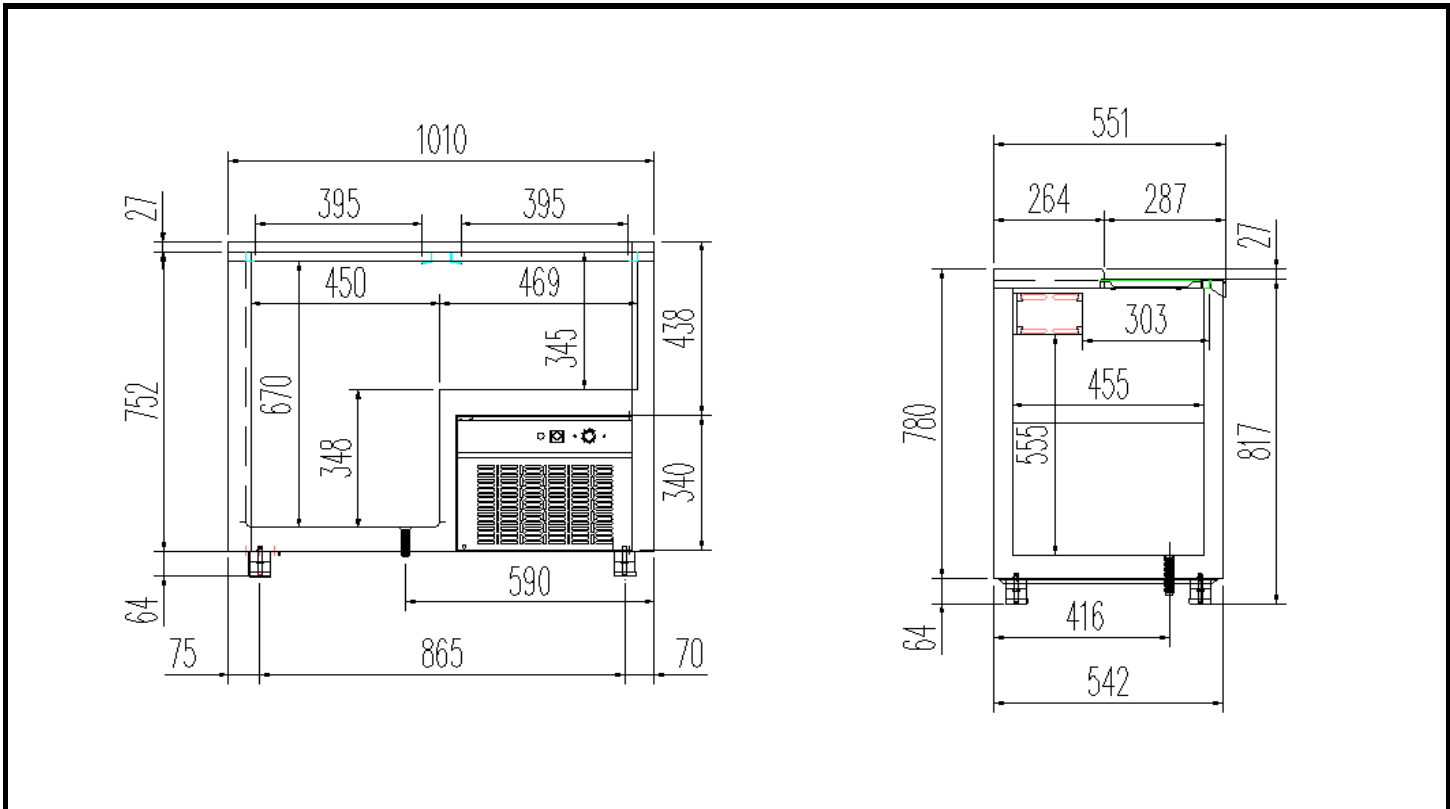


<b>MODEL:</b>	EBI-100	<b>FAMILY:</b>	DRINK COOLER	<b>MANUFACTURER:</b>	
---------------	---------	----------------	--------------	----------------------	---

**IMAGE / DETAIL**



**TECHNICAL DRAWING**



Every photo should be considered as a reference



Ctra. Córdoba - Málaga Km. 75.800  
 Tlfs: +34957 510126 Fax: +34957510682  
 14900 LUCENA (Córdoba), Spain  
[info@docriluc.es](mailto:info@docriluc.es)  
[www.docriluc.com](http://www.docriluc.com)

<b>MODEL:</b>	EBI-100	<b>FAMILY:</b>	MERCHANDISER	<b>MANUFACTURER:</b>	
---------------	---------	----------------	--------------	----------------------	---

### ELECTRICAL DATA

REFRIGERANT	Type	R-600a Isobutane
EVAPORATOR	Type	COOPER TUBE AND ALUMINIUM FINS
CONDENSER	Type	COOPER TUBE AND ALUMINIUM FINS
CONTROLLER	Type / Model	MECHANICAL
BLOWING AGENT	Type	C4H5F5
INSULATION	Type (Density kg/m <sup>3</sup> )	Polyurethane (40)

CLIMATIC CLASS	Nº (°C / % H.R.)	3 (25°C 60% H.R.)
STANDARD LIGHTING POWER	Type / Position (W)	-
PRODUCT TEMPERATURE	Type (°C)	2+8°C
RANGE WORKING TEMPERATURE	°C	2+8°C

### GENERAL DATA

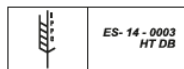
EXTERNAL DIMENSIONS	WxDxH mm	1010x550x850
INTERNAL DIMENSIONS	WxDxH mm	920x455x555
GROSS VOLUME	l	270
INNER DIVIDER	Number (WxD mm)	1
TDA	m <sup>2</sup>	NA
33cl CANS CAPACITY	Number	-
33cl CANS FACINGS	Number	-

PACKAGING DIMENSIONS	WxDxH mm	1020x570x955
DELIVERY BATCH	Type (number)	Palletized box (1units)
NET WEIGHT	Kg	61
COOLING CAPACITY	W	176
NOMINAL POWER	W	125

### TECHNICAL FEATURES

EXTERIOR MATERIAL	Type	STAINLESS STEEL AISI304 18/10
INTERIOR MATERIAL	Type	STAINLESS STEEL AISI304 18/10
DOOR /CURTAIN	Type	STAINLESS STEEL AISI304 18/10
EXTRA INFORMATION		-
SILKSCREEN / PRINTING	Drawing	-

### QUALITY REQUIREMENTS



Every photo should be considered as a reference

Ctra. Córdoba - Málaga Km. 75.800  
 Tlfs: +34957 510126 Fax: +34 957510682  
 14900 LUCENA (Córdoba), Spain  
[info@docriluc.es](mailto:info@docriluc.es)  
[www.docriluc.com](http://www.docriluc.com)